

HP® 1320 TO P2015

TONER CARTRIDGE CONVERSION INSTRUCTIONS



HP 1320 TO P2015 CONVERSION KIT
(UNINET PART #1114)

HP 1320 TO P2015 TONER CARTRIDGE CONVERSION INSTRUCTIONS

By Javier Gonzalez and the Technical Staff at UniNet

UNINET CONVERSION KIT FOR HP P2015 INCLUDES THE FOLLOWING

1. Large waste hopper with PCR saddles for use in HP P2015
2. Saddle springs
3. PCR contact
4. PCR contact trigger
5. Hinge pins
6. OPC pin
7. Drum bearing plate
8. Mounting screw
9. All sealing foams and recovery blade are pre-installed
10. Left end cap for use in HP P2015 (includes mounting screws, metal contact and hopper tension spring)
11. Right end cap (includes mounting screws and hopper tension spring)

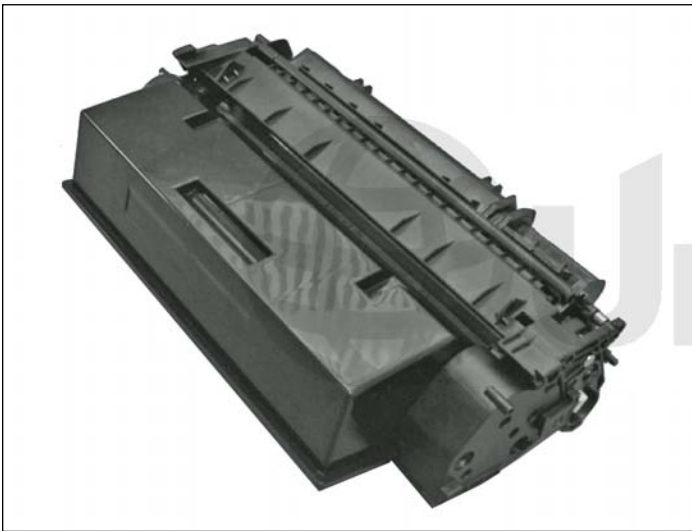
With the UniNet P2015 Conversion Kit, you can make the following conversions:



OEM HP 1320 starter cartridge (49A) to P2015 starter cartridge (53A).



OEM HP 1320 standard cartridge (49X) to HP P2015 standard cartridge (53X).



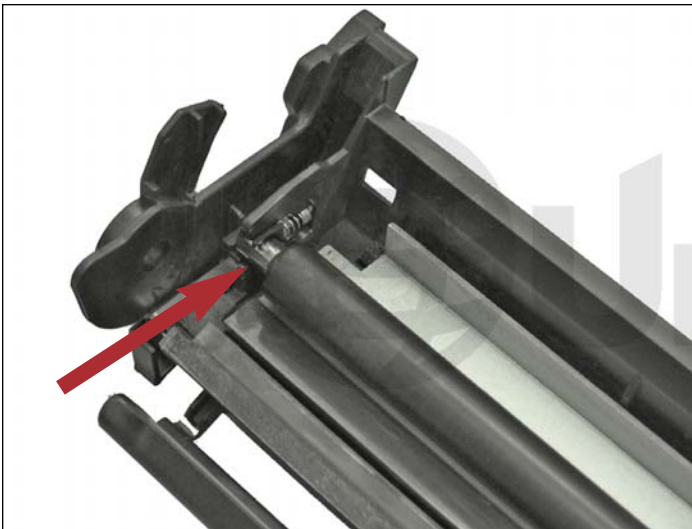
Convert either OEM HP 1320 cartridge into a jumbo cartridge (shown) to suit the HP P2015.

The steps for each conversion are similar. We will illustrate the following steps using UniNet #7735 Jumbo Hopper.

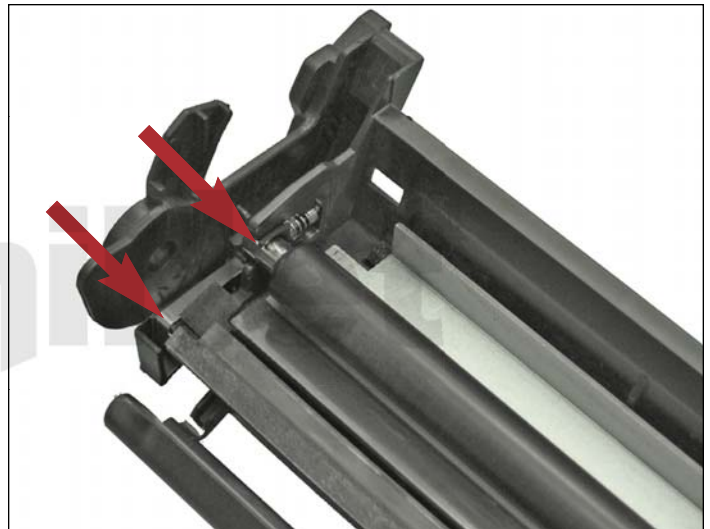


WASTE HOPPER INSTALLATION

1. The first step is to assemble the P2015 waste hopper. If you choose to re-use OEM components, carefully disassemble the OEM drum, PCR and wiper blade from the OEM HP 1320 cartridge and clean them thoroughly. Install the wiper blade as shown and tighten the two screws. Remember to lubricate the wiper blade.



2. Install the PCR as shown. If you are using an OEM PCR, please make sure it is carefully cleaned. Remember to add conductive grease on the black PCR saddle (shown).

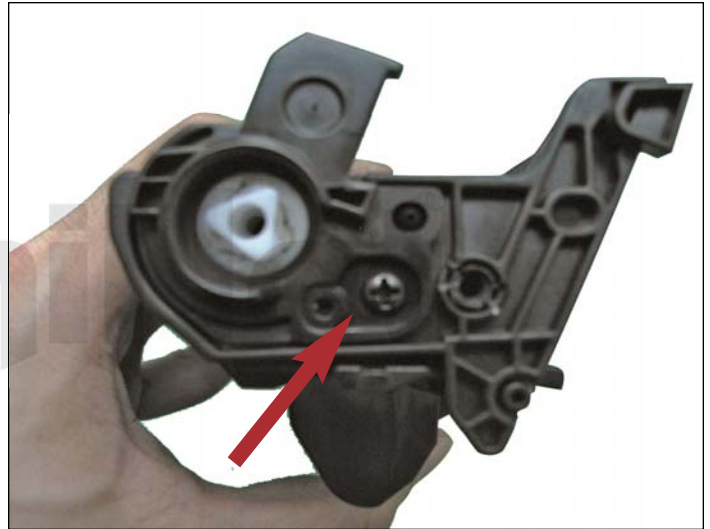


3. Using a multimeter, check the conductivity across the PCR and the PCR contact points (shown).

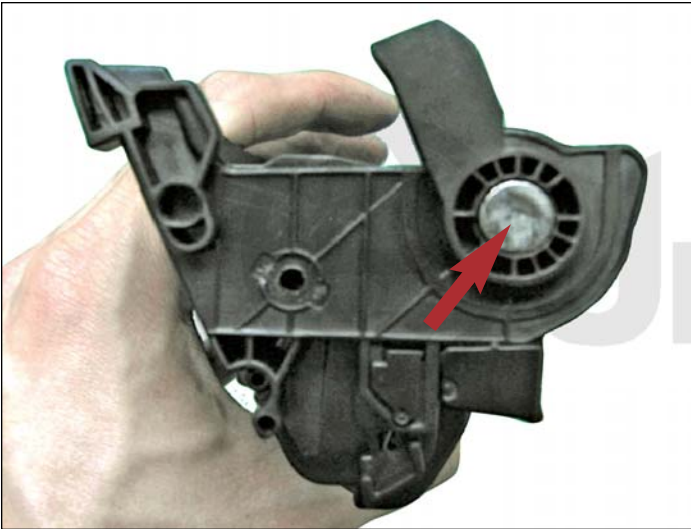


INSTALLING THE OPC DRUM

4. First, place the drum into the waste hopper as shown.



5. Attach the bearing plate with screws as shown.



6. Insert the OPC pin on the opposite side by pressing it in.



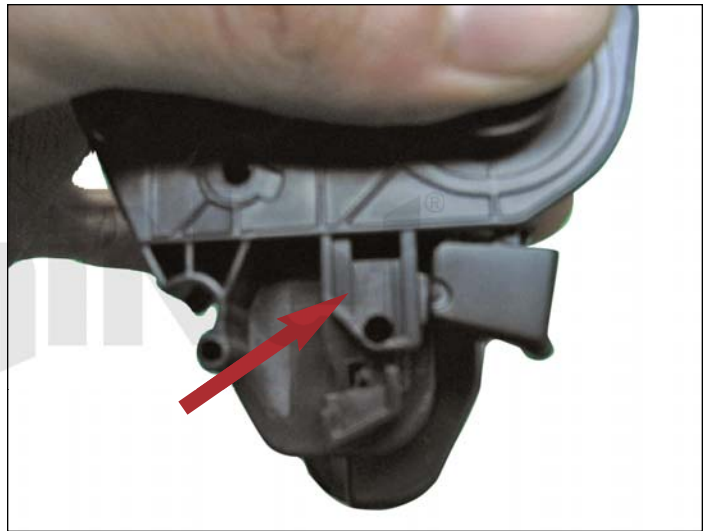
7. Assembled waste section.



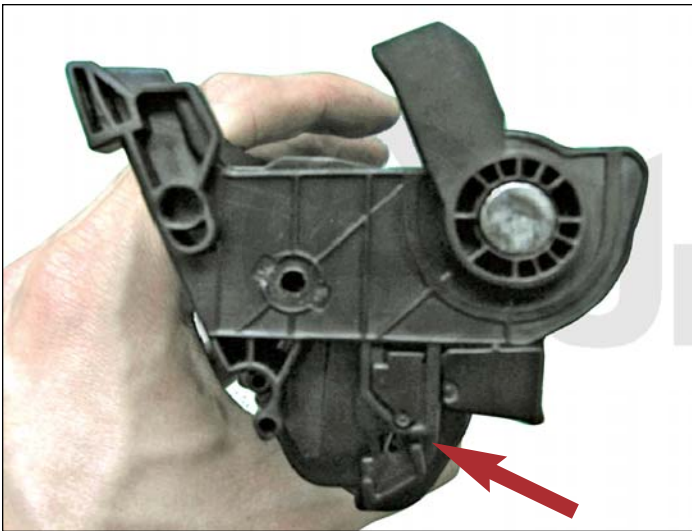
INSTALLING THE PCR CONTACT TRIGGER

8. Install the PCR contact trigger onto the P2015 waste hopper as shown in the following steps. This trigger is included in the P2015 conversion kit.

First, insert the spring onto the trigger arm as shown.



9. Add a drop of glue in area shown, and place the trigger arm over it.



10. Insert the trigger arm locking pin to fix it into position.

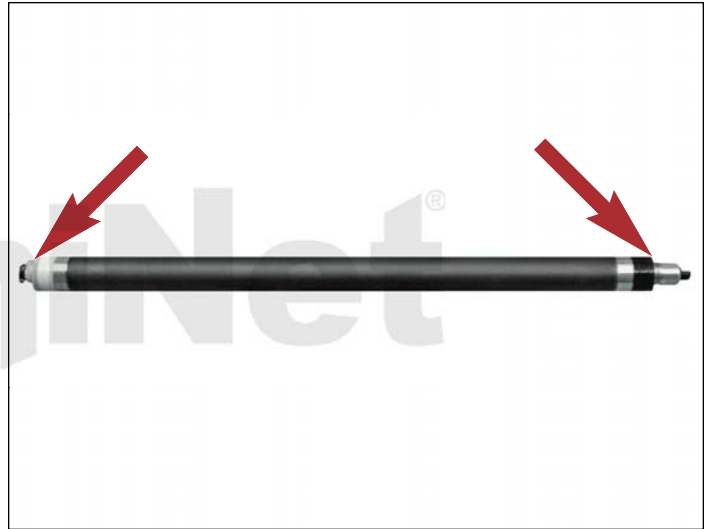


11. Fill the hopper with toner and insert the fill cap.

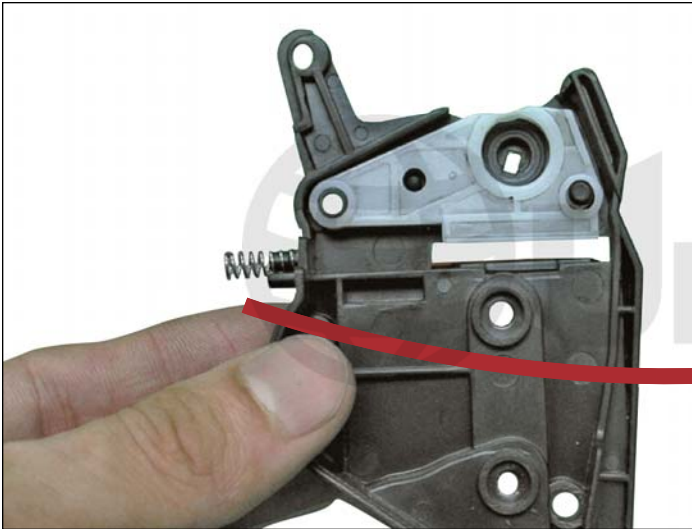
NOTE: Pictured is the UniNet 1320 Jumbo hopper (#7735) with seal fitted. If you are using an OEM HP 1320 hopper for this conversion, make sure you disassemble the OEM left and right end caps, magnetic roller, magnetic roller bushing, wipers, and doctor blade. Carefully clean all components thoroughly, except for the end caps which are discarded.



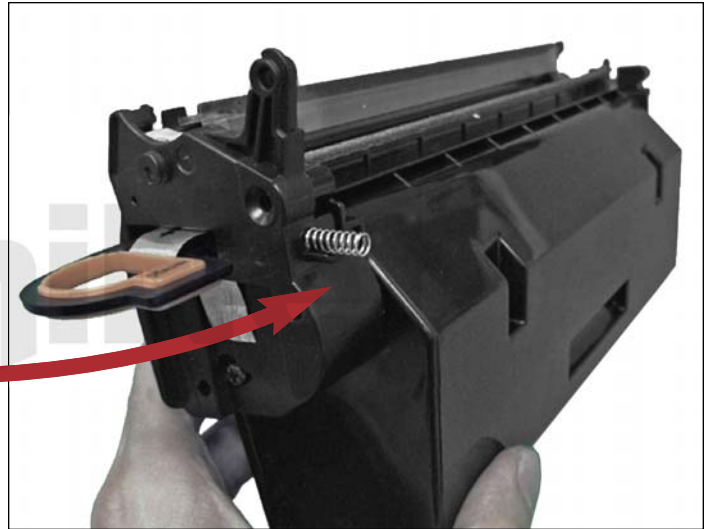
12. Install the doctor blade into the hopper and place the magnetic roller wiper on each end of the doctor blade. Tighten the two screws that hold the doctor blade and wipers in place.



13. Place the left and right magnetic roller bushings on the ends of the magnetic roller.



14. Install the left stabilizer on the P2015 left end cap shown.



15. Install the left end cap onto the left side of the hopper. The P2015 left end cap includes a pull tab feature like the OEM but does not include the orange clip. The orange clip is available separately or you can use the OEM orange clip. Tighten all screws on the left end cap.

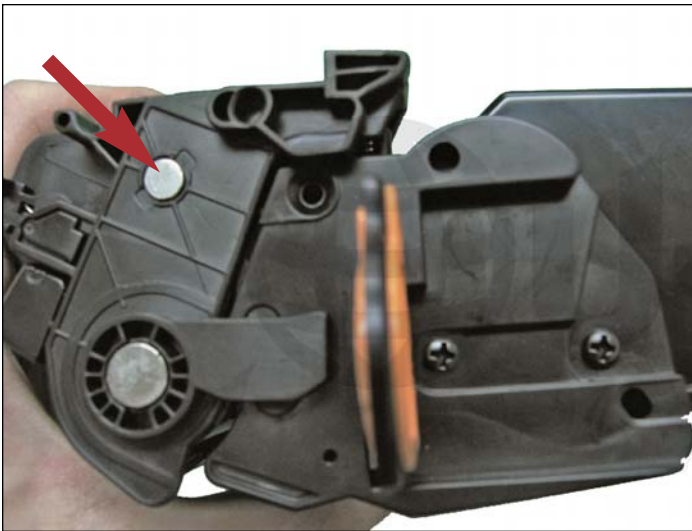


16. Install the magnetic roller, the right stabilizer, and all drive gears on the right side of the hopper as shown.



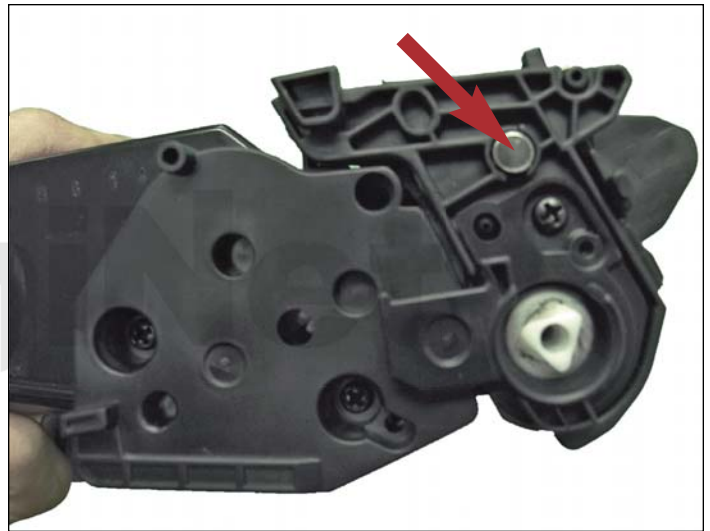
17. Install the P2015 right end cap.

Tighten the two screws shown.



18. Join the toner and waste hopper sections together.

Insert the hinge pin on each side to lock them in place.





19. Finally, install the chip, and the conversion from an HP 1320 cartridge to a cartridge that will fit the HP P2015 printer is complete.